



LED Spot High Quality Dimmable

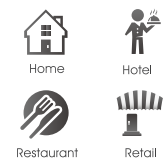
Features

- TRIAC dimmable from 10-100% brightness
- Unique light mixing technique and optics design, UGR < 13
- Tilt 24°
- Multiple beam angle options: 24° or 40°

Benefits

- Tune light intensity to suit your environment or the time of day
- Glare free, visually comfortable light for working, living and learning
- Light where you need it
- Accommodate different display sizes and ceiling heights

Application



Specification

Order Name	Power (W)	Power Factor	Lumen (lm)	Efficacy (lm/W)	Input Current (mA)	Beam Angle (°)	CRI	UGR	CCT (K)	Lifetime (L70B50)
SP7WW-DIM-HQ	7	0.90	420	60	36	40	≥ 80	13	3000	30Khrs
SP7WC-DIM-HQ	7	0.90	420	60	36	40	≥ 80	13	4000	30Khrs
SP7WD-DIM-HQ	7	0.90	420	60	36	40	≥ 80	13	5700	30Khrs
SP9,5WW-DIM-HQ	9.5	0.90	600	63	45	40	≥ 80	13	3000	30Khrs
SP9,5WC-DIM-HQ	9.5	0.90	600	63	45	40	≥ 80	13	4000	30Khrs
SP9,5WD-DIM-HQ	9.5	0.90	600	63	45	40	≥ 80	13	5700	30Khrs

Technical Specifications	
On / Off Cycles	50,000
Colour Consistency (SDCM)	6
Dimmable	Yes
Finishing Colour	White
IP	20
Driver Integrated (Yes/No)	No
Glow Wire Test	650°C
Driver Failure Rate	1% at 5000h
Weight (kg/pc)	0.20

Electrical Supply	
Frequency (Hz)	50 / 60
Voltage (V)	220-240
AC/DC	AC

Mechanical Properties	
Housing Material	Aluminum+PC
Optical Material	Plastic

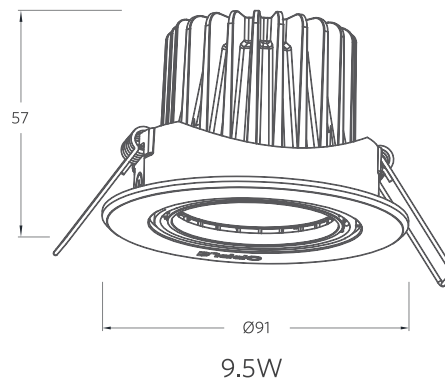
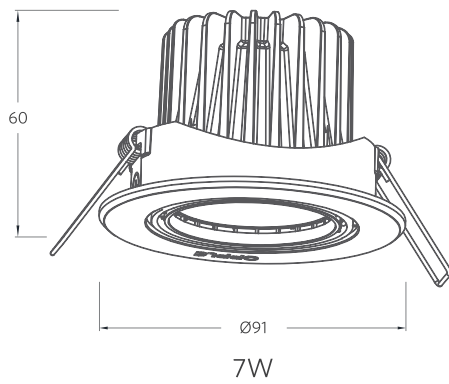
Application Conditions	
Operating Temperature	-10-40°C
Application Temperature	25°C
Storage Environment	-25-50°C



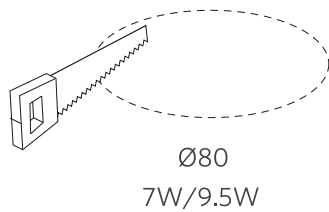
Packaging Information

Order Name	Single Box(1pc/box)		Packaging Unit	
	Dimensions(mm) (LxWxH)	Gross Weight (kg)	Dimensions(mm) (LxWxH)	Gross Weight (kg)
SP7WW-DIM-HQ	115x115x95	0.45	600x478x210	18.00
SP7WC-DIM-HQ	115x115x95	0.45	600x478x210	18.00
SP7WD-DIM-HQ	115x115x95	0.45	600x478x210	18.00
SP9.5WW-DIM-HQ	115x115x95	0.45	600x478x210	18.00
SP9.5WC-DIM-HQ	115x115x95	0.45	600x478x210	18.00
SP9.5WD-DIM-HQ	115x115x95	0.45	600x478x210	18.00

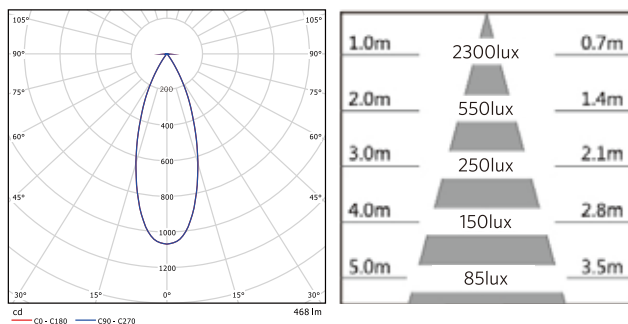
Dimensional Drawing



Installation Opening Drawing



Photometric Data



40°(7W/9.5W)